



ITEC GENUINE 8 HIGH-POWER/HIGH-END SPEAKER SYSTEMS



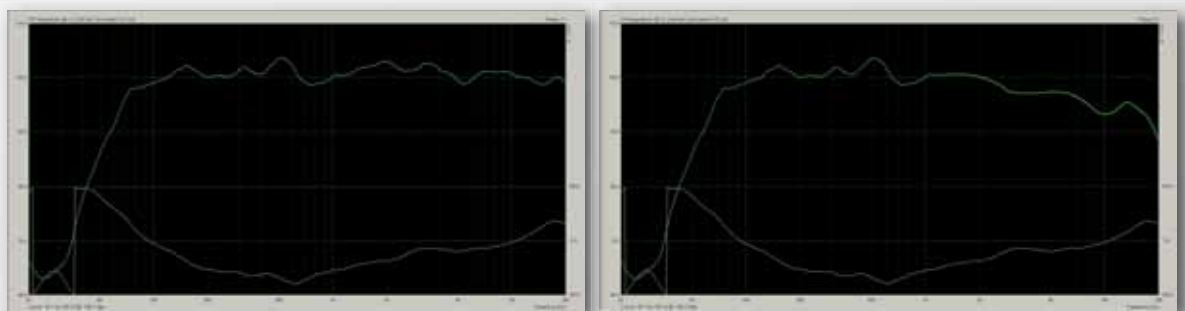
Designed and Manufactured by
ITEC Tontechnik und
Industrieelektronik GesmbH
8200 Laßnitzthal 300
Austria / Europe

 **ITEC**
www.itec-audio.com

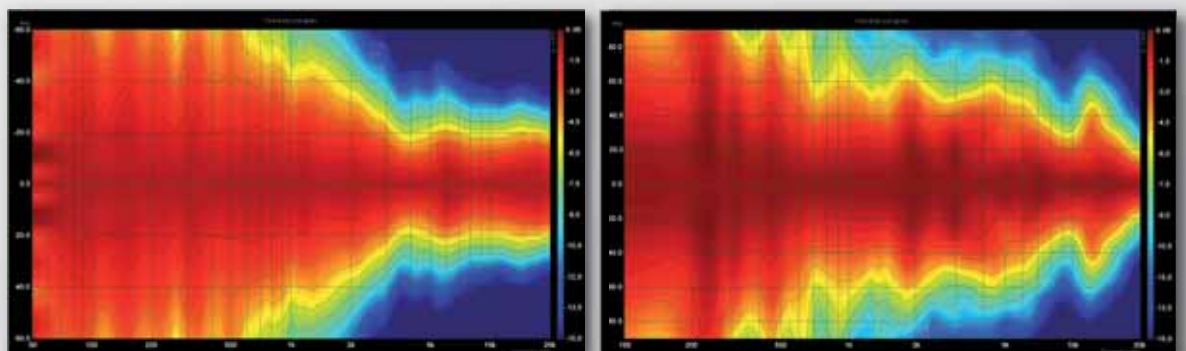


MODELS	HIGH POWER / 8 OHM	HIGH END / 8 OHM
Load Capacity	200 W/RMS	
Rated Sound Pressure Level	95 dB / 1 W / 1 m	
Maximum Sound Pressure Level	121 dB	
Frequency Range -6 dB	65Hz - 20kHz	
Drivers	8" low-mid speaker and 1" compression driver on a Tractrix Horn	8" low-mid speaker and 1" calotte high-frequency driver and guide
Dimensions	260 x 460 x 260 mm (W x H x D)	
Weight	9,5 kg	
Case	Birch plywood	
Colours	highly resistant structured black (RAL 9011) or white (RAL 9010) finish	

frequency response on axis::



horizontal angle of radiation:



Performance Features

HIGH-POWER

- Design high-performance PA speaker equipped with 8"/1"
- Elegant 2-way full-range speaker in a curved wood housing with 8" low-mid speaker and 1" compression driver on a Tractrix Horn.
- Homogenous dispersion characteristics
- Integrated crossover with self-resetting protection circuit for low and high frequencies and passive filters for runtime and phase optimisation
- Spring connection terminal
- Mounting bracket with pivot and tilt function
- Birch plywood with highly resistant structured black (RAL 9011) or white (RAL 9010) finish
- Highly permeable, powder-coated speaker cover, steel galvanised, with changeable black / white acoustic foam.

HIGH-END

- Design full-range PA speaker equipped with 8"/1"
- Elegant 2-way full-range speaker in a curved wood housing with 8" low-mid speaker and 1" calotte high-frequency driver and guide
- Homogenous wide-dispersion characteristics $\pm 60^\circ$ (-6 dB)
- Integrated crossover with self-resetting protection circuit for low and high frequencies and passive filters for runtime and phase optimisation
- Spring connection terminal
- Mounting bracket with pivot and tilt function
- Birch plywood with highly resistant structured black (RAL 9011) or white (RAL 9010) finish
- Highly permeable, powder-coated speaker cover, steel galvanised, with changeable black / white acoustic foam.

Facilities



connecting terminal 8 ohms (standard)



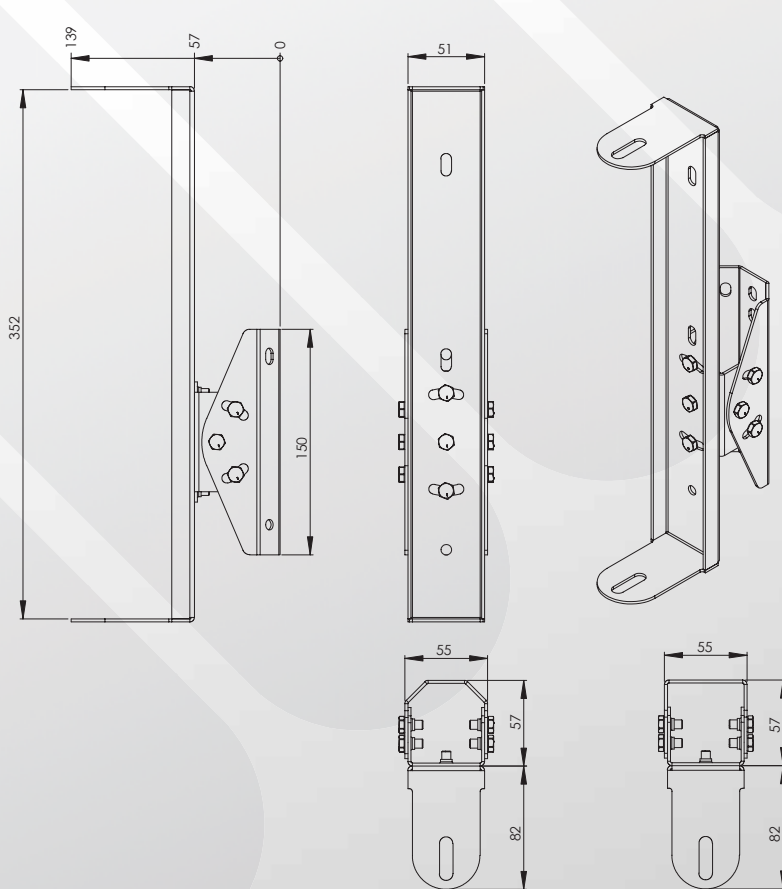
Mounting bracket with pivot and tilt function (standard) black or white



Dimensions loudspeaker



Dimensions accessory



All information without guarantee. Subject to technical changes.