



## DIGIPOWER POWER AMPLIFIERS

**ROBUST AND RELIABLE**  
for continuous use in professional sound installations and security public  
address systems. Built-in limiter, fault signal contacts, ...

  
[www.itec-audio.com](http://www.itec-audio.com)

## ITEC DigiPower 2x250T

100V digital amplifier - durable and safe for professional ELA installations. The very reliable electronics design ensures transmission performance without compromise and a trouble-free operation for years. Hardly waste heat, over 90% efficiency thanks to digital signal processing and a maintenance-free cooling system without fans are further features.

- Monitoring contacts
- Digital signal processing
- Only 260 mm installation depth
- Only 10 W power consumption in standby mode
- Rechargeable battery for emergency operations

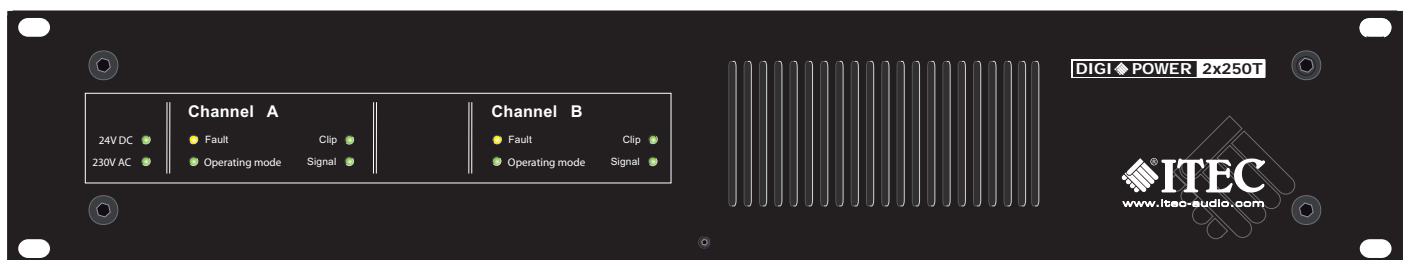
Level controls for each channel located on the back. Display of all operating conditions by LEDs.

The cooling system operates without a fan, so

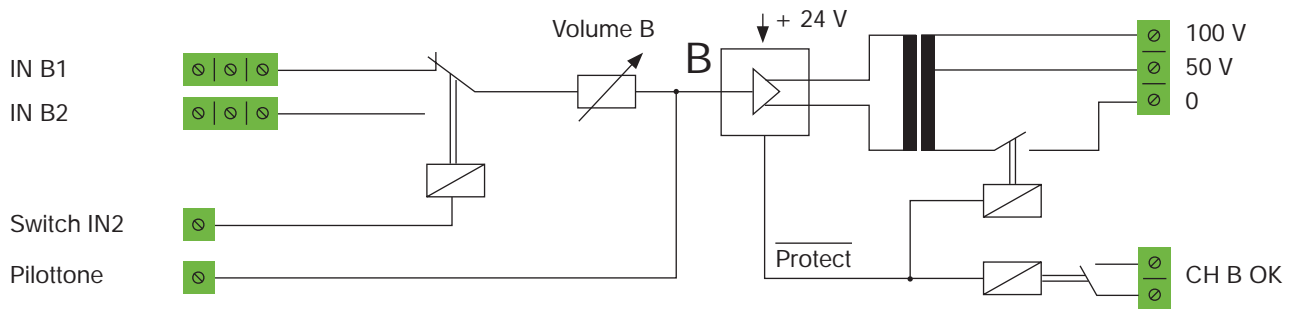
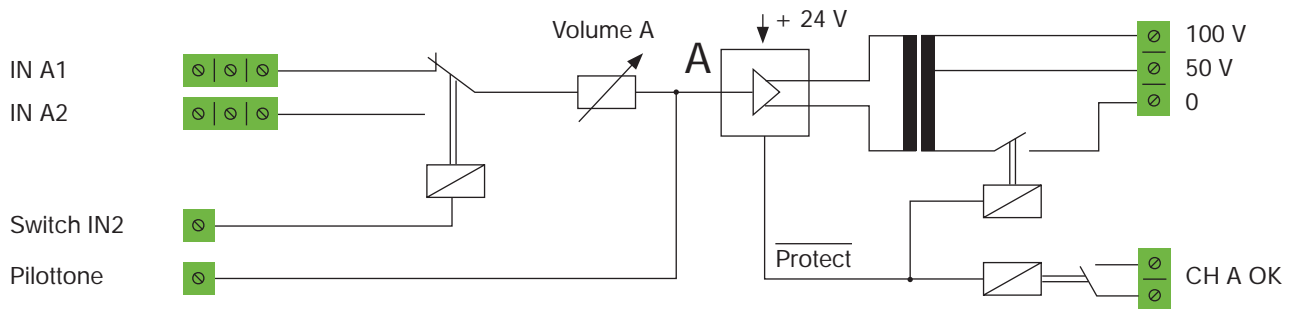
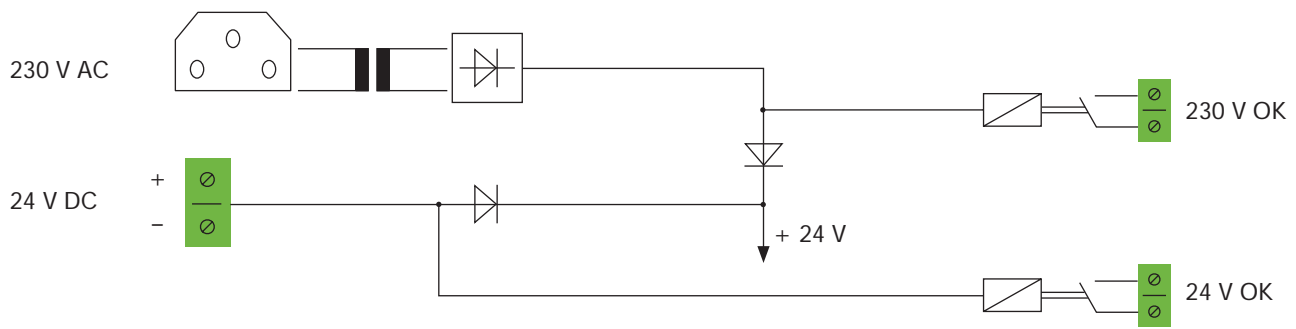
- no pollution
- no consequential costs
- no moving parts

## Features

- LED indicators for signal and operating conditions
- Monitoring contacts for battery
- Monitoring contacts for the output amplifier
- 2 channels in a 19-inch, 2 units of height case
- Low installation depth of only 260 mm
- All feed lines with plug-in, screw terminals
- Balanced Inputs
- Automatic standby mode
- Protection against open circuit, short circuit, over temperature, DC
- 230V AC and 24V DC power supply
- Switching on delay



ITEC DigiPower 2x250T block diagram



# ITEC DIGIPOWER - TECHNICAL SPECIFICATIONS



TYPE	2x250T
Output Power	2 x 250 W or 1 x 500 W
Total Harmonic Distortion	< 0,2 %
Input sensitivity	1V @ 10 kOhm
Output transformer	2 x 50 V / 100 V
Power consumption in standby mode (230V)	10 W
Power consumption at full load (230V)	630 W
DC current consumption in standby mode	400 mA
DC current consumption during 230V AC operation	40 mA
Inputs	symmetrical on screw terminal
Supply voltage	230 V AC / 24 V DC
Noise ratio 250W 1 kHz	85 dB
Frequency response	70 Hz ÷ 20 kHz / -3 dB
Operating temperature	-5° bis +40°
Protection circuits	DC, short circuit, resonance, over temperature
Dimensions	482 x 88 x 260 mm (W x H x D), 19" / 2HE
Weight	16,5 kg

No responsibility is taken for the correctness of this information - Specifications subject to change



ITEC-Tontechnik und Industrieelektronik GesmbH, A-8200 Lassnitzthal 300 / Austria / Europe  
Tel.: +43 (0)3133 / 3780-0, office@itec-audio.com, www.itec-audio.com